



## **Kestrel Jumbo Chassis 21MX/2100**

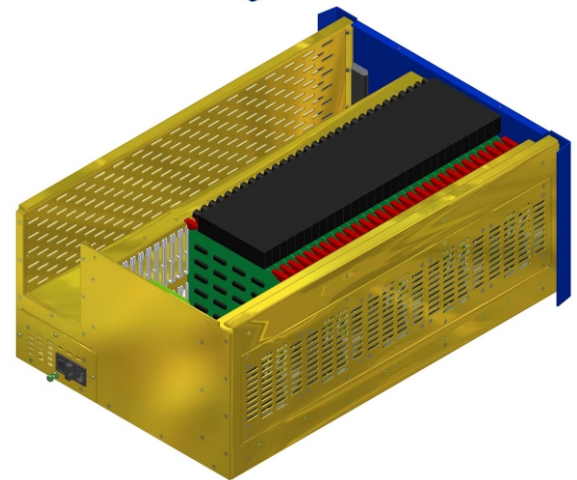
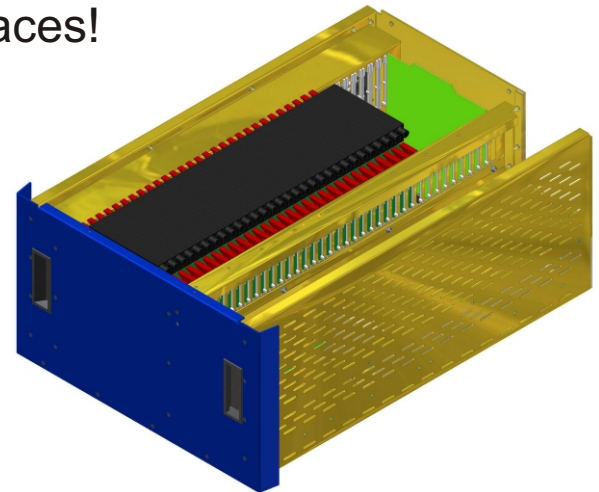
One neat package for lots of custom interfaces!

### **A beautiful instant upgrade!!**

Your HP1000 application moves smoothly into the modern world of Microsoft Windows NT / Windows 2000, preserving all the signals needed to drive your custom interface. The Kestrel Rack Mount Chassis houses the host PC, disks, tapes, CD-ROM with as many as 38 HP1000 21MX/2100/2114-16 I/O cards in one FCC and CE certifiable package!

Migration problems? None! You chose the quick, sure, inexpensive solution when you chose the Kestrel executing RTE, etc. as a Windows NT application. Complete your migration gracefully with Strobe's Kestrel Jumbo Rack Mount Chassis

Why 38 slots? This allows you to pack an I/O extender based system into a single rack mount



### **Morphing the HP1000 into the 21st century!**

MANY GOOD YEARS OF LIFE LEFT IN THAT APPLICATION OF YOURS

Strobe Data's Kestrel, a faster, more flexible, modern HP1000 gives you the commodity priced peripherals you count on in today's world. An adjustable CPU clock provides just that extra bit of compatibility needed to ensure the continued integrity of your real time process through its custom interface.

# Kestrel Jumbo Chassis 21MX/2100

## Specifications

### Physical

<b>Construction:</b>	Heavy-duty aluminum .100" thick
<b>Indicators:</b>	LED indicates power On/Off.
<b>Dimensions</b>	17" W x 10.5" H x 26" L
<b>Weight</b>	Estimated at 65 lbs
<b>Cooling</b>	5 Internal fans @2470 RPM / 86.52 CFM
<b>Controls</b>	On/off switch on rear panel Power LED on front panel

### Power Supply ASTEC MVP Series

<b>Output Rating:</b>	600 Watts
<b>Input Voltage:</b>	85-264VAC, 120-350VDC
<b>Frequency:</b>	47-440HZ
<b>Output Voltage:</b>	+5VDC@120A, +12VDC@10A, -12VDC@10A, -2VDC@10A +28VDC@2A,
<b>MTBF:</b>	100,000 hours
<b>Safety:</b>	UL, CSA, IEC, VDE, BABT, CB, CE
<b>EMI:</b>	CISPR 22, EN55022 Level B

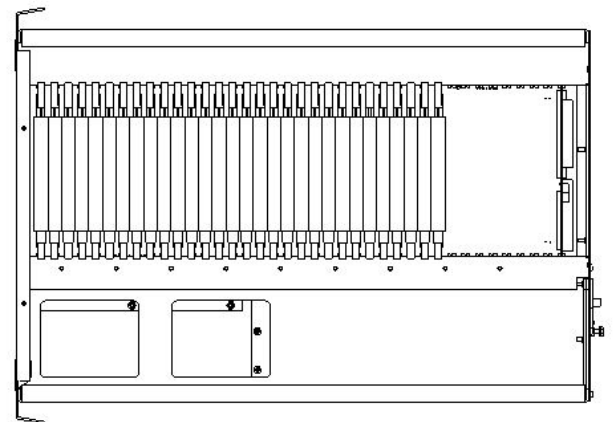
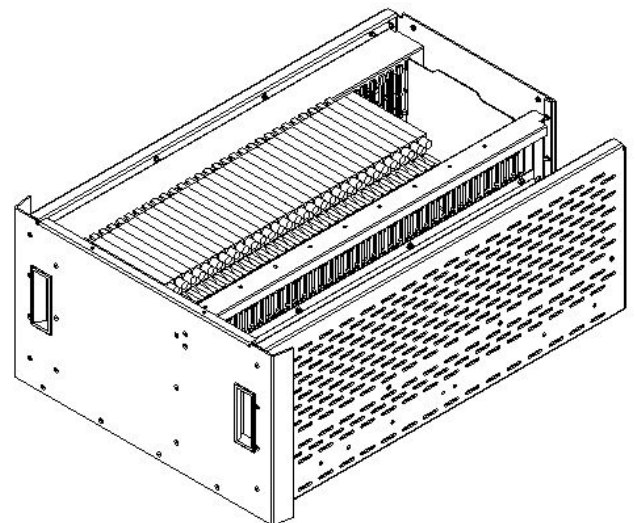
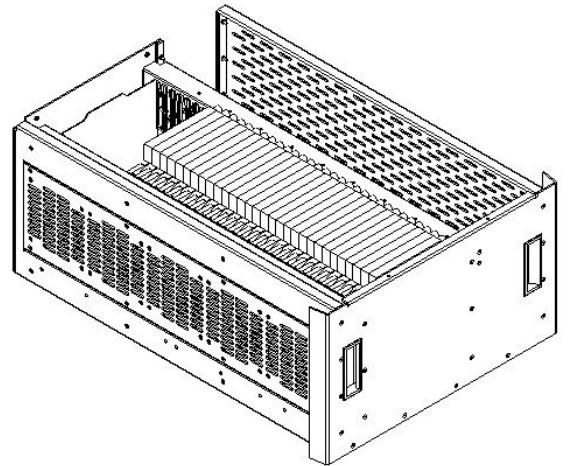
### Environmental

#### Operating Conditions

<b>Temperature</b>	-20C to 50C (Start @ 0C)
<b>Humidity</b>	95% non-condensing
<b>Storage Temp</b>	-40C to +85C

### Backplanes

<b>HP 1000</b>	38 I/O Slots for 21MX/2100/2114-16
<b>Cable tray</b>	for Legacy I/O cables



**Strobe Data Inc.**

14940 NE 95th Street Suite B Redmond, WA. 98052

Phone: (425) 861-4940 Fax: (425) 861-4295 [www.strobedata.com](http://www.strobedata.com)